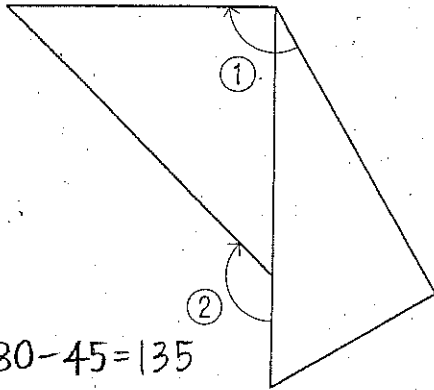


《角度のもんだい》

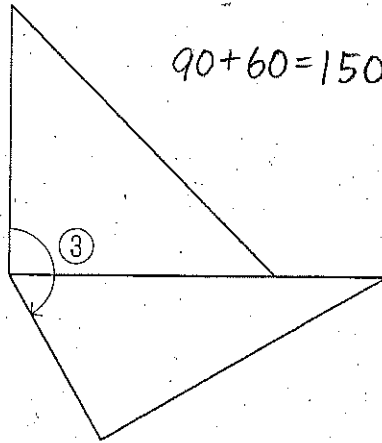
三角ぼうぎでできる角度は何度でしょう。

$$90 + 30 = 120$$

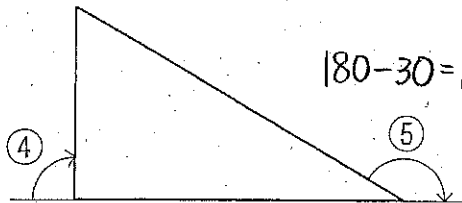


$$180 - 45 = 135$$

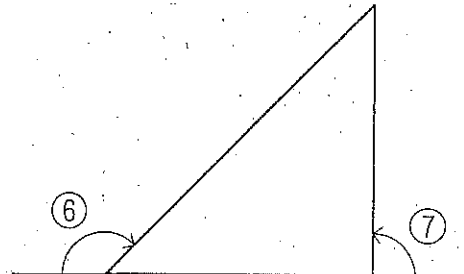
$$90 + 60 = 150$$



$$180 - 90 = 90$$



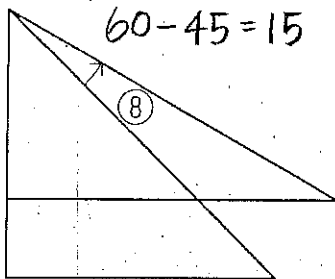
$$180 - 30 = 150$$



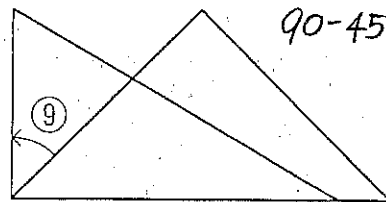
$$180 - 45 = 135$$

$$180 - 90 = 90$$

$$60 - 45 = 15$$



$$90 - 45 = 45$$



①	120°	④	90°	⑦	90°
②	135°	⑤	150°	⑧	15°
③	150°	⑥	135°	⑨	45°

小数のたし算・ひき算・かけ算

① $2.46 + 4.82$

$$\begin{array}{r} 2.46 \\ + 4.82 \\ \hline 7.28 \end{array}$$

② $2.39 + 3.87$

$$\begin{array}{r} 2.39 \\ + 3.87 \\ \hline 6.26 \end{array}$$

③ $0.26 + 0.34$

$$\begin{array}{r} 0.26 \\ + 0.34 \\ \hline 0.60 \end{array}$$

④ $8.67 - 3.03$

$$\begin{array}{r} 8.67 \\ - 3.03 \\ \hline 5.64 \end{array}$$

⑤ $1.27 - 0.58$

$$\begin{array}{r} 1.27 \\ - 0.58 \\ \hline 0.69 \end{array}$$

⑥ $1.01 - 0.04$

$$\begin{array}{r} 1.01 \\ - 0.04 \\ \hline 0.97 \end{array}$$

⑦ 71.3×48

$$\begin{array}{r} 71.3 \\ \times 48 \\ \hline 5704 \\ 2852 \\ \hline 34224 \end{array}$$

⑧ 30.4×29

$$\begin{array}{r} 30.4 \\ \times 29 \\ \hline 2736 \\ 608 \\ \hline 881.6 \end{array}$$

⑨ 52.8×5

$$\begin{array}{r} 52.8 \\ \times 5 \\ \hline 264.0 \end{array}$$

⑩ 46.8×5

$$\begin{array}{r} 46.8 \\ \times 5 \\ \hline 234.0 \end{array}$$

⑪ 96.3×27

$$\begin{array}{r} 96.3 \\ \times 27 \\ \hline 6741 \\ 1926 \\ \hline 2600.1 \end{array}$$

⑫ 12.5×8

$$\begin{array}{r} 12.5 \\ \times 8 \\ \hline 100.0 \end{array}$$